

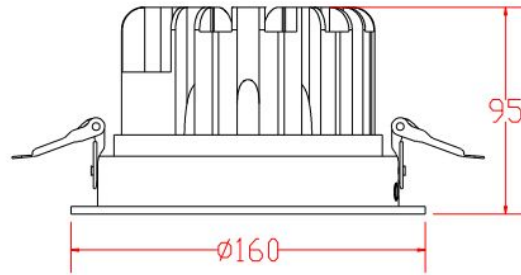
Product Specification

Product Name: 30W profresh ceiling

Product Model: KPT-30W-6D

1.Product

Product photo and size (unit: MM)



2.Features

- 1) Energy-saving: COB led chip, save 80% electricity than traditional lamp.
- 2) Environmental Protection: does not contain mercury, lead and hazardous substances, no environmental pollution, no infrared and ultraviolet to avoid harm to the human body, its green lighting products.
- 3) Long lifespan: The life of up to 50,000 hours or more.
- 4) Input voltage: AC100V-240V, wide range fit for most of customers' request.
- 5) Using high-power integrated lamp beads, high brightness, high efficiency, high CRI
- 6) DC constant current driver, no flicker
- 7) Direct optical illumination point than traditional lamps have higher light-use efficiency.
- 8) The main body use the good thermal conductivity of aluminum , has good heat dissipation.
- 9) High light efficiency, low heat produced, save much electricity
- 10) To achieve the desired effect of non-glare lighting surface according to the different food, high color rendering and the food color looks more real. It's better for customer's to select the food.

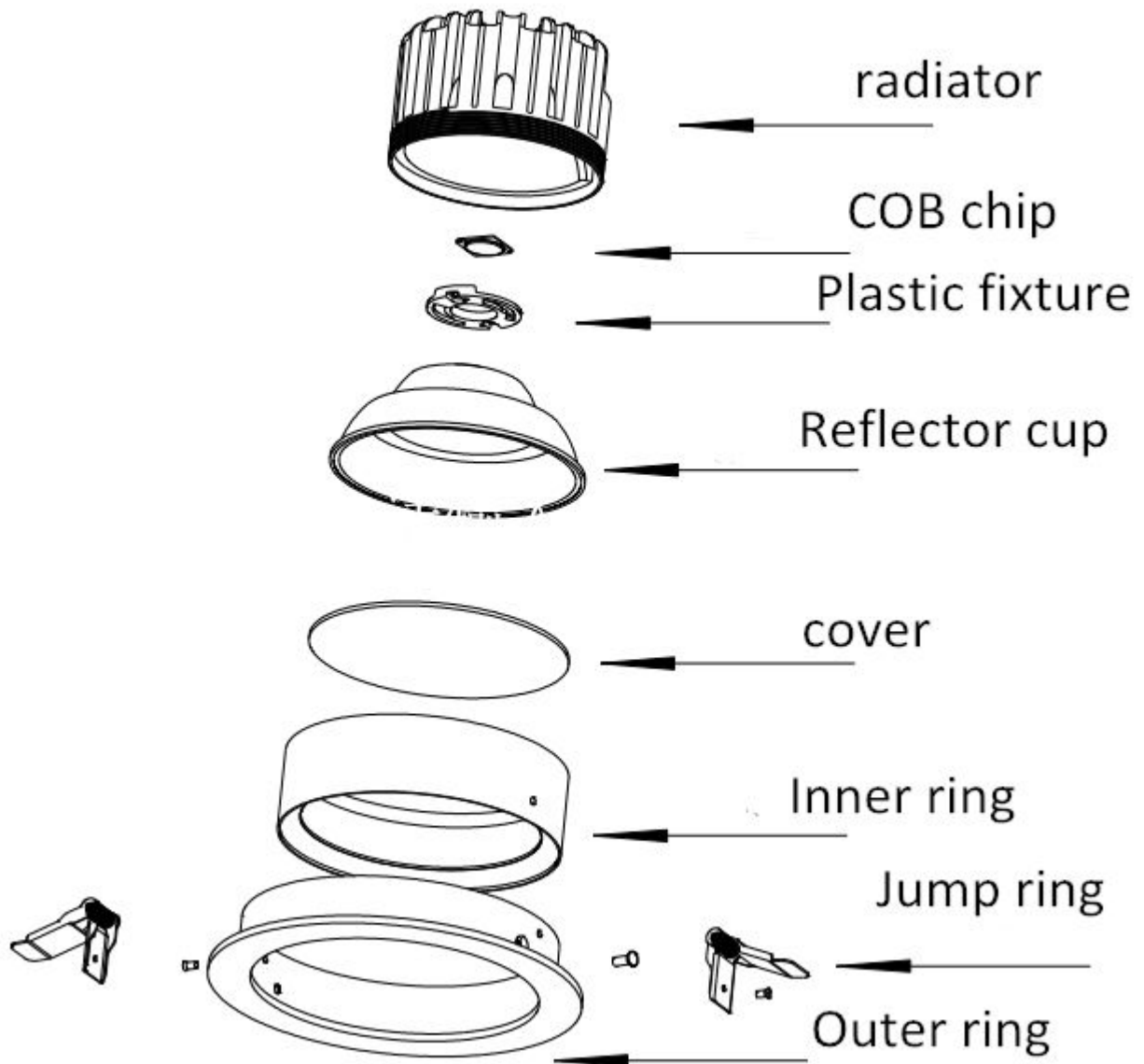
3. Application

Used for fresh food lighting in the supermarket such as fruits, vegetables, flower, fish, milk, meat, frozen and deli food, also for dining table, etc. lighting places.

4. Technical Specification

Rated Power	30W		
Power Consumption	30±2W		
Input Voltage	AC 100~240V/50~60Hz		
LED quantity	COB/1 PCS		
LED chip	Epistar		
Light Efficiency	80-90lm/W		
Luminous Flux	2500±10%lm		
Luminaire Efficiency	>85%		
Illumination Uniformity	>0.8		
Correlated Color Temperature	2700K-7000K		
Color Rendering Index	Ra>90		
Beam Angle	30 °		
Grade of Protection	IP54		
Operating Ambient Temperature	-40℃~50℃		
Storage Ambient Temperature	-40℃~50℃ (30℃recommended)		
Lamp Operating Temperature	Ambient Temperature	The Radiator Surface of the Lamp Body	LED soldering pot
	25℃	50℃	60℃
Certification	CE、RoHS		
lifespan	50000H		
Dimensions	See the above specified on the product dimension drawings		
N.W.	1.28kg		

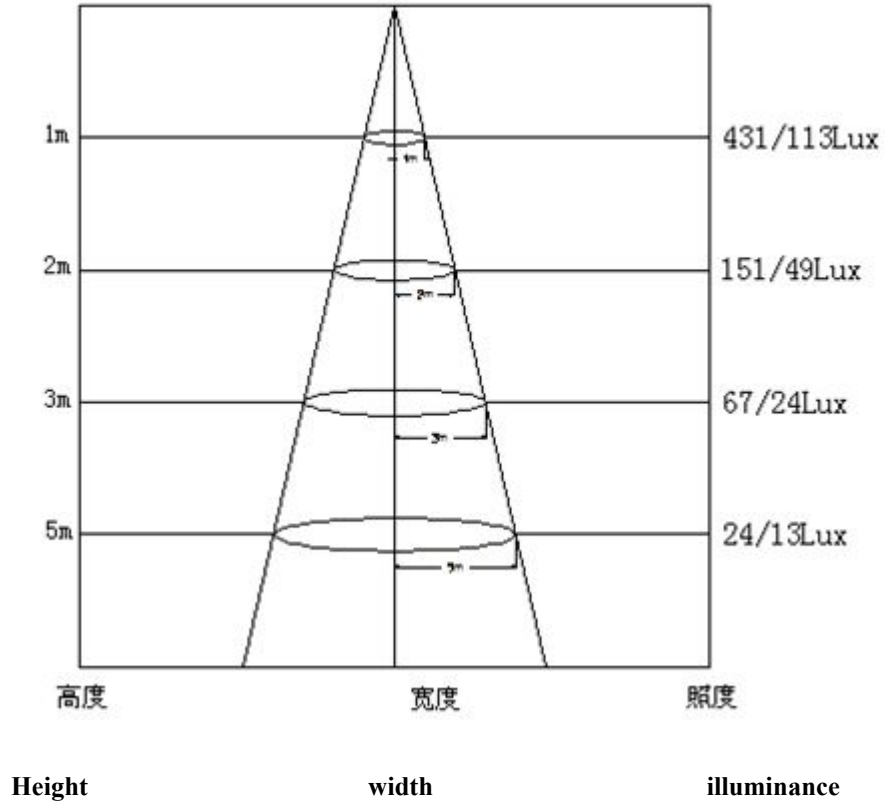
5. Structure Diagram



6. Luminosity

Luminous Flux:2500lm

光输出: 2500LM

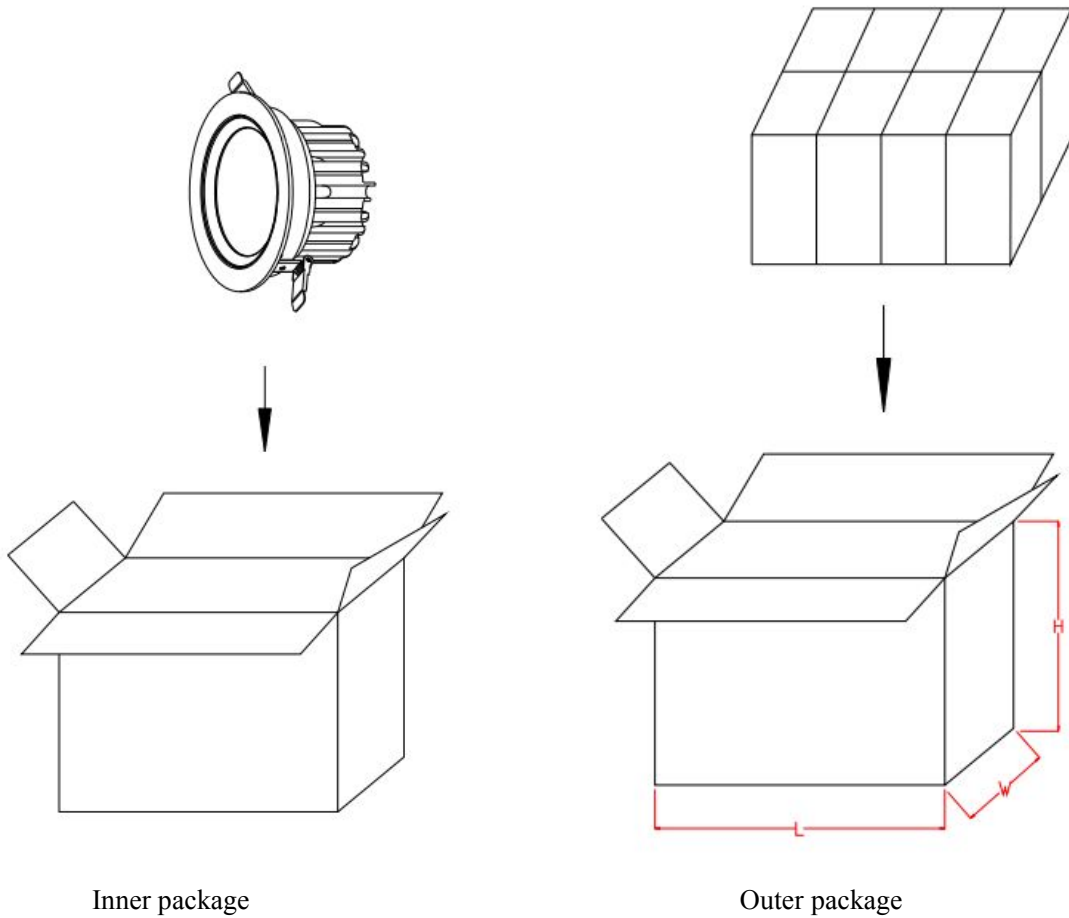


7. Product Reliability Test

No.	Item	Test Condition	Test Standard
1	Temperature rise test	Ambient Temperature 25 °C , the lamp surface temperature below 65 °C , LED temperature below 75°C.	Ambient Temperature 25 °C , the lamp surface temperature below 65 °C , LED temperature below 75°C.
2	High temperature and volt test	Ambient temperature 60 °C , input 1.1 times of rated voltage, light for 24 hours.	The lamp can work properly after the test.
3	Low temperature and volt test	Ambient temperature -15°C , input 0.9 times of rated voltage, light for 24 hours.	The lamp can work properly after the test.
4	Vibration test	Vibration speed is set to 300r/min, the amplitude is set to 2.54cm, six surface vibration test on the six surface of packed products.	The problem can't be occurred on the lamps, parts detached, structure damaged, the lamp does not work, etc.
5	Voltage surge test at indoor temperature	Ambient temperature 25 °C , light 30s and switch off 30s, circulate 10,000 times.	The problem can't be occurred on the lamps, leakage, don't work these electrical anomalies.
6	Lifespan test	Ambient temperature 25 ° C, lit test, the first three months every 10 days, test optical parameters, after three months every a month test the optical parameters, 70% of the initial luminous flux is the life of the product, light off is the absolute life.	Luminous flux is 90% of the initial luminous flux within 3000 hours, luminous flux should be higher than 70% of the initial luminous flux within 30,000 hours.

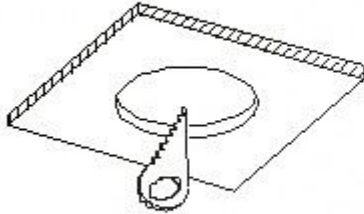
8.Package

Project	Internal packing with paper tube	External packing
Q'tu	box/1	box/16
Size	170*170*140	L680*W340*H280
N.W	1kg	17kg
G.W	1.1kg	18kg

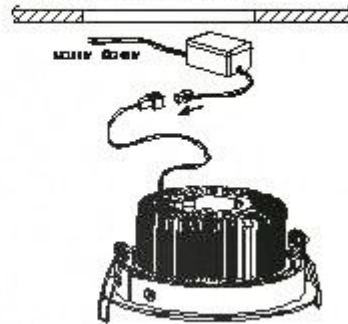


9.Installation

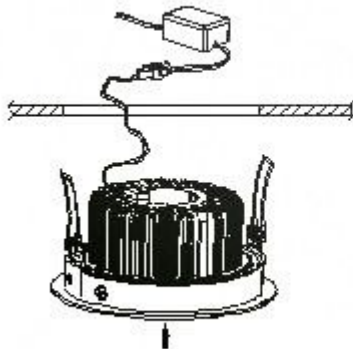
- 1) Drill hole in the ceiling before install the light (different hole sizes as the dimension above parameter table)
- 2) Move the fixation spring and put the ceiling lights in the hole. (as following pictures)



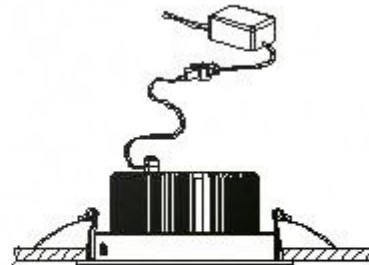
① Dip the hole



② Connecting lamp with adapter



③ Installing lamps in ceiling



④ Installing finished

10.Notice

1. All of the above test data are within the specified range of input voltage and rated output, the working environment temperature of 25℃, humidity less than 85%, beam angle is tested under the circumstance of 60°.
2. Note: no waterproofing effect, only for indoor use.
3. Checking the voltage, current compliance requirements; please do not disassemble product without authorized.
4. If the products can not work properly due to product quality defects, the warranty replacement within 2 years.